



Synchronicity is a range of products working on **KNX** standard, dedicated to **hotel and facility management**.

All the range is for both 2 modules round and squared inwall boxes or for 3 modules boxes.

The solution is integrated with **eSuite software** management tool and products for **temperature and HVAC control, lighting and load management** (input and output modules, digital/analog mixed modules, dimmers and shutters modules), **visualization and control** (touch panels, PDA), **communication** (gateways vs other protocols).

Design: Paolo Haigh Castiglioni

Everything on **KNX** protocol.

Official **eelectron** distributor in UK
HOME OF TECHNOLOGIES LIMITED
 Tempo House, 15 Falcon Road
 London SW11 2PJ
 United Kingdom
 T +44 (0)207 9988 252
 E office@homeoftechnologies.com
www.homeoftechnologies.com

Synchronicity
 Synchronise events - Synchronise colours

HotelManagement
 More than 23.000 rooms installed worldwide.



Since our everyday living requires energy saving and cost control

Architects, designers and planners, follow our conception of home evolution and building automation.

Environmental needs are changing the standards of project design, with performing and challenging goals that require efforts to deliver to your clients long lasting economy and comfort values.

Following this effort, we have developed multifunctional applications starting from KNX technology: an open standard, programmed from a unique software tool, able to join independent systems in an interworking logic.

Used by many customers worldwide, our solutions combine aesthetic design, high performances and friendly usability for end users and professionals.

- Building Automation
- Hotel Management
- Home Evolution

Highlights of KNX solution

- A global standard
- Great flexibility thanks to distributed control and intelligence
- One only configuration software
- A single technology for installers and planners
- Easy Maintenance
- Security through the use of low-voltage power supplies
- Open to various communication medias

Since we want to live in an homy and environmental world

- Single or multiple lighting control
- Heating and air conditioning
- Blind and shutters control
- User dependent management of areas and functions
- Temporized and advanced scenarios
- Access Control
- Audio/Video system integration
- Alarms and Video Surveillance
- Intercom Audio and Audio/Video system

What are we delivering to our clients?

Integration

HVAC System
BMS System
Billing (Fidelio, etc..)
Lights (DMX, Dali..)

Room and Building Automation

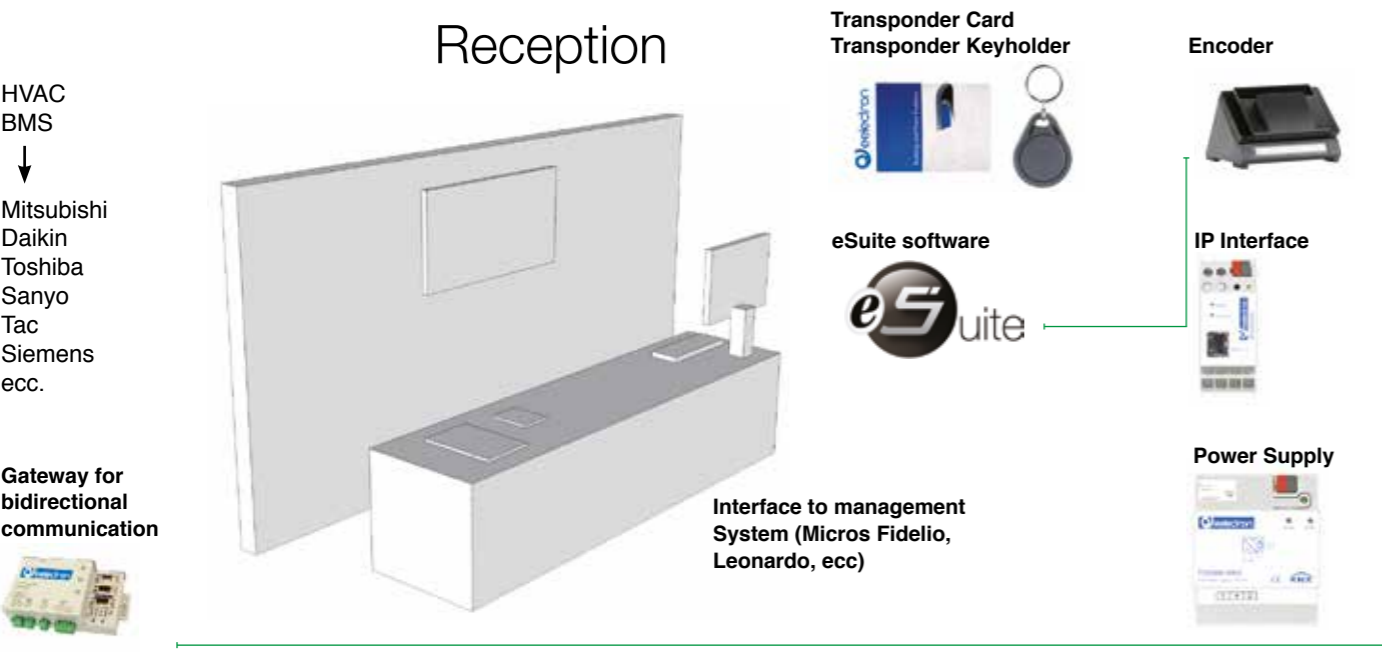
Access Control
Energy Saving
Temperature Control
Lighting Control
Automation
Shutter Control
Services
External Area Control
Common Area Management
Special Functions
(music/co2/energy metering etc.)

Supervision

Automation
Check in /Check out
Supervision
Room and Common
Areas Control
Pre-Heating Functions
Alarm Log
Transit Log
Room to Clean

Our Hotel Solution

Electron has conceived the hotel as an integrated system where access control and room management is connected with common areas and temperature control and with interworking subsystems through hardware and software interfaces.



eSuite SW Management

Software dedicated to supervision of KNX installation, hotel management and access control, alarms and utilities.
Modular, Flexible, Evolved.

eSuite

Room Management

Room 01

Transponder Holder

- Bathroom Alarm
- Do Not Disturb
- Light ON/OFF
- Loads ON/OFF

Transponder Reader

- Door Strike
- M.U.R.
- Door Lock control
- Courtesy Light

Thermostat

- Fan coil ON/OFF
- Window Contact

Room 02

Transponder Holder

- Bathroom Alarm
- Reset Alarm
- Light ON/OFF
- Loads ON/OFF

Transponder Reader

- Door Strike
- M.U.R.
- Door Lock control
- Courtesy Light

Thermostat

- Tv Socket Control
- Window contact

4IN/4OUT Universal

- Minibar control
- Room light
- 3 speed Fan coil

4IN/4OUT LED

- Do Not Disturb
- Service Call

Suite

Transponder Holder

- Bathroom Alarm
- Reset Alarm
- Light ON/OFF
- Loads ON/OFF

Transponder Reader

- Door Contact
- Room charge status
- Door Lock control
- Courtesy Light

Bed Side Panels

8IN/8OUT

- Lights
- Minibar contact
- Shutters management
- 3 Speed Fan coil
- 2/4 Pipes system
- Hot/Cold Valves
- TV Socket control

Thermoregulation

THERMOSTAT 1 IN / 1 OUT



The TM11AxxKNX thermostat is an EIB / KNX device for temperature controlling applications in Home & Building Automation, and is characterized by the possibility of being mounted on inwall boxes of 2 or 3 modules, rectangular or round. It is available in a range of colours for plastic housing; glass finishes can be ordered separately, which allows you to match the thermostat to all types of environments. The thermostat has large LCD for displaying the current temperature or the setpoint, fan speed, summer / winter mode and the 4 operating status. The unit is equipped with a clean contact input which can be used for a window sensor or other devices, and an output relay to control the speed 1 of the fan coil or even a zone valve. The thermostat can also be configured for used in combination with an ON / OFF output module to control the three fan coil speeds. Control elements available to the user include two buttons for increasing or decreasing the setpoint temperature (current setting), and two buttons for increasing or decreasing the fan speed, or stopping the fan all together.

ORDER CODES

Thermostat 1 IN - 1 OUT - Light gray	TM11A01KNX
Thermostat 1 IN - 1 OUT - Anthracite	TM11A11KNX
Thermostat 1 IN - 1 OUT - White	TM11A21KNX

TECHNICAL FEATURES

Dimension

- Dimensions: (H x W x D) 78 x 110 x 39,8 mm

Mounting

- Inwall mounting on squared or round boxes

Connection

- EIB / KNX bus connecting terminal max 0.8 mm²
- Input screw clamp, conductor section max. 1,5 mm²
- Output relay screw clamp, conductor section max. 1,5 mm²

Supply

- From bus KNX 21..30 Vcc SELV

FEATURES Input

- Number: 1 ON/OFF clean contact
- Max length of connecting 10mt twisted cables
- Scanning voltage Un = 12V
- Scanning power In with locked contact = 1mA for channel
- Output relay specification
- Capacity of the relay contact 48 Vac, 1A AC1

TEMPERATURE PROBE 1 IN - 1 OUT



The TM11BxxKNX temperature probe is an EIB / KNX. It can be fitted in rectangular or round embedded boxes with 2 or 3 modules. The plastic housing is available in a range of different colours, and glass finishes can be ordered separately, allowing you to match the temperature probe with any type of design. A large LCD display on the temperature probe displays the current temperature and setpoint, fan speeds, heating mode / cooling mode, window and CO2 status. The device has a physical clean contact input and an output relay for general use. Control elements available to the user are two buttons to increase and decrease the setpoint temperature, a button for adjusting the fan coil fan speed, and a button for manually changing the status (comfort, standby). By pressing the first two-button simultaneously, you can change settings related to the CO2 parameter as well. By pressing the 3rd and 4th button simultaneously the device send 1 bit command.

ORDER CODES

Temperature Probe 1 IN - 1 OUT Light gray	TM11B01KNX
Temperature Probe 1 IN - 1 OUT Anthracite	TM11B11KNX
Temperature Probe 1 IN - 1 OUT White	TM11B21KNX

TECHNICAL FEATURES

Dimension

- Dimensions: (H x W x D) 78 x 110 x 39,8 mm

Mounting

- Mounting: inwall mounting on squared or round boxes

Connection

- EIB / KNX bus connecting terminal max 0.8 mm²
- Input screw clamp, conductor section max. 1,5 mm²
- Output relay screw clamp, conductor section max. 1,5 mm²

Supply

- From bus KNX 21..30 Vcc SELV

FEATURES Input

- Number: 1 ON/OFF clean contact
- Max length of connecting 10mt twisted cables
- Scanning voltage Un = 12V
- Scanning power In with locked contact = 1mA for channel
- Output relay specification
- Capacity of the relay contact 48 Vac, 1A AC1

TEMPERATURE PROBE 1 IN - 1 OUT



Glass Plate with support for TM11A series.

ORDER CODES

Silver	VTxxA01KNX
Black	VTxxA11KNX
White	VTxxA21KNX

THERMOSTAT 1 IN - 1 OUT WITH PLEXIGLASS PLATE



This version of the product TM11A completed with plexiglass plate in the same colour of the device. Same features of the version with glass plate.

ORDER CODES

Thermostat 1 IN - 1 OUT with plexiglass plate - Silver	TM11A09KNX
Thermostat 1 IN - 1 OUT with plexiglass plate - Black	TM11A19KNX
Thermostat 1 IN - 1 OUT with plexiglass plate - White	TM11A29KNX

TEMPERATURE PROBE 1 IN - 1 OUT WITH PLEXIGLASS PLATE



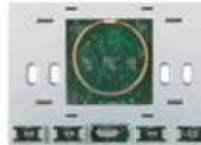
This version of the product TM11B completed with plexiglass plate in the same colour of the device. Same features of the version with glass plate.

ORDER CODES

Temperature Probe 1 IN - 1 OUT with plexiglass plate - Silver	TM11B09KNX
Temperature Probe 1 IN - 1 OUT with plexiglass plate - Black	TM11B19KNX
Temperature Probe 1 IN - 1 OUT with plexiglass plate - White	TM11B29KNX

Hotel system & Access control

TRANSPONDER READER 2 IN - 2 OUT



The Transponder Reader TR22AxxKNX is an EIB/KNX wall mounting device suitable to access control application. This device can be used in any kind of building (Hotel, Hospital, Offices, Parking, etc..) where the access control application is required. The device is equipped with two binary inputs (clean contacts) that can be used, for instance, to control the door status or other signals coming from external switches/contacts (i.e. windows, bathroom emergency alarms, etc..). The transponder reader is equipped also with two output relays which can be used for general purposes, typically to open the door or turning on the courtesy light inside the room. The product provides on the front side four LEDs in order to enlighten 4 icons to display the following states (e.g. in case of Hotel management): • Access Allowed/Not Allowed • SOS request • Service Call (clean room, etc..) • Client status ("Busy room" or "Do not Disturb") The LEDs and icons can be configured in association with other alarms or events. The transponder reader can read cards or keys at a maximum distance of 30mm from the front side.

ORDER CODES

Transponder reader 2 IN - 2 OUT Light gray	TR22A01KNX
Transponder reader 2 IN - 2 OUT Anthracite	TR22A11KNX
Transponder reader 2 IN - 2 OUT White	TR22A21KNX

TECHNICAL FEATURES

Dimensions

- (H x W. x D.) 78 x 110 x 37 mm

Mounting

- Inwall mounting on squared or round boxes

Connection

- EIB / KNX bus connecting terminal max 0.8 mm²
- Input and output screw clamps, conductor section max. 1,5 mm²

Supply

- From bus KNX 21..30 Vcc SELV
- Supplementary 12-24V AC/DC ± 10% 150mA Max

Control elements

- 1 red LED for ETS programming
- Frontal warning
- 1 LED : Access denied /allowed
- 3 LED : freely configurable

FEATURES Input

- 2 type ON/OFF clean contacts
- Max length of connection cable 10mt
- Output relay specification
- Number 2 with capacity of the contact relay: 24 VAC/DC 2 A AC1

TRANSFORMERS FOR ACCESS CONTROL

Codes	DIN	Supply	Output
PS00T10TRA	2 Mod	230 VAC	12/24 VAC 10VA
PS00T24TRA	3 Mod	230 VAC	12/24 VAC 24VA
PS00T40TRA	3 Mod	230 VAC	12/24 VAC 40VA

Hotel system & Access control

SUPPORT GLASS PLATE



Glass Plate with support for TR22A series

ORDER CODES

Support Glass Plate - Silver

VTxxA02KNX

Support Glass Plate - Black

VTxxA12KNX

Support Glass Plate - White

VTxxA22KNX

To be completed XX with the code glass colours.

TRANSPONDER READER 2 IN - 2 OUT WITH PLEXIGLASS PLATE



The version of Transponder Reader TR22A complete with plexiglass plate in the same colour of the device. Same features of the version with glass plate.

ORDER CODES

Transponder reader 2 IN - 2 OUT with Plexiglass Plate - Silver

TR22A09KNX

Transponder reader 2 IN - 2 OUT with Plexiglass Plate - Black

TR22A19KNX

Transponder reader 2 IN - 2 OUT with Plexiglass Plate - White

TR22A29KNX

TRANSPONDER READER WITH BELL 2 IN - 2 OUT



The Transponder Reader TR32Ax9KNX is an EIB/KNX wall mounting device suitable to access control application. This device can be used in any kind of building (Hotel, Hospital, Offices, Parking, etc..) where the access control application is required. The device is equipped with two binary inputs (clear contacts) that can be used, for instance, to control the door status or other signals coming from external switches/contacts (i.e. windows, bathroom emergency alarms, etc..) and with one frontal button freely configurable by ETS. The transponder reader is equipped also with two output relays which can be used for general purposes, typically to open the door or turning on the courtesy light inside the room. The product provides on the front side four LEDs in order to enlighten 4 icons to display the following states (e.g. in case of Hotel management): • Access Allowed/Not Allowed • SOS request • Service Call (clean room, etc..) • Client status ("Busy room" or "Do not Disturb") The LEDs and icons can be configured in association with other alarms or events. The transponder reader can reads cards or keys at a maximum distance of 30mm from the front side.

ORDER CODES

Transponder reader with bell 2 IN - 2 OUT - Silver

TR32A09KNX

Transponder reader with bell 2 IN - 2 OUT - Black

TR32A19KNX

Transponder reader with bell 2 IN - 2 OUT - White

TR32A29KNX

TECHNICAL FEATURES

Dimensions

- (H x W. X depth.) 78 x 110 x 37 mm

Mounting

- Inwall mounting on squared or round boxes

Connection

- EIB / KNX bus connecting terminal max 0.8 mm²
- Input and output screw terminals, wire section max. 1.5 mm²

Supply

- KNX bus 21 .. 30 VDC SELV
- Additional 12-24V AC / DC ± 10%, 150mA max

FEATURES

- 22 binary inputs for clear contacts
- Max length 10m cables
- 2 relay, contact rating 24 VAC / DC, 2 A AC1

Control elements

- 1 red LED for ETS programming
- Frontal warning
- 1 LED : Access denied /allowed
- 3 LED : freely configurable

Inputs specifications

- Scanning power In with locked contact = 1mA per channel
- Output relay specification
- Number 2 with capacity of the contact relay: 24Vac 2 A AC1
- 1 button for ETS programming

Transformers for Access Control

Codes	DIN	Supply	Output
PS00T10TRA	2 Mod	230 VAC	12/24 VAC 10VA
PS00T24TRA	3 Mod	230 VAC	12/24 VAC 24VA
PS00T40TRA	3 Mod	230 VAC	12/24 VAC 40VA

EXTERNAL TRANSPONDER READER 2 IN - 2 OUT



The Transponder Reader TR22AxxKNX is an EIB/KNX wall mounting device suitable to access control application. This device can be used in any kind of building (Hotel, Hospital, Offices, Parking, etc..) where the access control application is required. The device is equipped with two binary inputs (clear contacts) that can be used, for instance, to control the door status or other signals coming from external switches/contacts (i.e. windows, bathroom emergency alarms, etc..) . The transponder reader is equipped also with two output relays which can be used for general purposes, typically to open the door or turning on the courtesy light inside the room. The product provides on the front side four LEDs in order to enlighten 4 icons to display the following states (e.g. in case of Hotel management): • Access Allowed/Not Allowed • SOS request • Service Call (clean room, etc..) • Client status ("Busy room" or "Do not Disturb") The LEDs and icons can be configured in association with other alarms or events. The transponder reader can reads cards or keys at a maximum distance of 30mm from the front side. IP Protection 42.

ORDER CODE

External Transponder Reader 2 IN - 2 OUT

TR22A11KNX-EXT

TECHNICAL FEATURES

Dimensions

- (H x W x D) 78 x 110 x 37 mm

Mounting

- Inwall mounting on squared or round boxes Ø60mm

Connection

- EIB / KNX bus connecting terminal max 0.8 mm²
- Input and output screw clamps, conductor section max. 1,5 mm²

FEATURES

- 1 red LED for ETS programming
- Frontal warning
- 1 LED : Access denied /allowed
- 3 LED : freely configurable

Input specification

- 2 type ON/OFF clear contacts
- Max lenght of connection cable 10mt
- Scanning voltage Un = 12V internally generated
- Scanning power In with locked contact = 1mA per channel
- Ouput relay specification
- Number 2 with capacity of the contact relay: 24Vac 2 A AC1

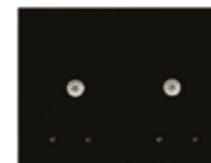
Control elements

- 1 button for ETS programming

Transformers for Access Control

Codes	DIN	Supply	Output
PS00T10TRA	2 Mod	230 VAC	12/24 VAC 10VA
PS00T24TRA	3 Mod	230 VAC	12/24 VAC 24VA
PS00T40TRA	3 Mod	230 VAC	12/24 VAC 40VA

PLEXIGLASS PLATE FOR EXTERNAL TRANSPONDER READER 2 IN - 2 OUT



Plexiglass Plate for the code TR22A11KNX-EXT

ORDER CODES

Plexiglass plate for External Transponder Reader 2IN - 2 OUT - Black **PX15A14ACC**

Plexiglass plate for External Transponder Reader 2IN - 2 OUT - White **PX10A24ACC**

SYNCHRONICITY CUSTOMIZATION

On demand is possible customize the frames (glass or plexi) for the codes TR22A and TH22A (es. Hotel Logo,number of room...).



Icons



Hotel Logo



Room number

Hotel system & Access control

TRANSPONDER HOLDER 2 IN - 2 OUT



The Transponder Holder TH22AxKNX is an EIB/KNX wall mounting device suitable to access control application. It can be used for detecting and monitoring the presence of customers or service staff in a room. The device is equipped with two binary inputs (clear contacts) that can be used, for instance, to control the door status or other signals coming from external switches/contacts (i.e. windows, bathroom emergency alarms, etc.).

On the front of the transponder holder there is a blue light that is useful to help the guest to insert card in the device. Removing the card, after a programmable time, all the room services are switched off to preserve energy.

ORDER CODES

Transponder Holder 2 IN - 2 OUT - Light Gray

TH22A01KNX

Transponder Holder 2 IN - 2 OUT - Anthracite

TH22A11KNX

Transponder Holder 2 IN - 2 OUT - White

TH22A21KNX

TECHNICAL FEATURES

Dimensions

- v(H x W. x D.) 78 x 110 x 37 mm

Mounting

- Inwall mounting on squared or round boxes

Connection

- EIB / KNX bus connecting terminal max 0.8 mm²
- Input and output screw clamps, conductor section max. 1,5 mm

Supply

- From bus KNX 21..30 Vcc SELV
- Supplementary 12-24V AC/DC ± 10% , max 150mA

Input specification

- 2 type ON/OFF clean contacts
- Max lenght of connection cable 10mt

Output relay specification

- Number 2 with capacity of the contact relay: 24 VAC/DC 2 A AC1

Control elements

- 1 blue guiding light
- 1 button for ETS programming

Transformers for Access Control

Codes	DIN	Supply	Output
PS00T10TRA	2 Mod	230 VAC	12/24 VAC 10VA
PS00T24TRA	3 Mod	230 VAC	12/24 VAC 24VA
PS00T40TRA	3 Mod	230 VAC	12/24 VAC 40VA

SUPPORT GLASS PLATE



Glass Plate with support for TH22A series.

ORDER CODES

Silver

VTxxA03KNX

Black

VTxxA13KNX

White

VTxxA23KNX

TRANSPONDER HOLDER 2 IN - 2 OUT WITH PLEXIGLASS PLATE



This version of the product TH22A completed with plexiglass plate in the same colour of the device. Same features of the version with glass plate.

ORDER CODES

Transponder Holder 2 IN - 2 OUT with plexiglass plate - Silver

TH22A09KNX

Transponder Holder 2 IN - 2 OUT with plexiglass plate - Black

TH22A19KNX

Transponder Holder 2 IN - 2 OUT with plexiglass plate - White

TH22A29KNX

TRANSPONDER ENCODER



The card encoder is a device that writes / reads RFID tag. The device is fitted in a table container with 3 modules, equipped with a USB interface that also provide the power supply. The device is provided with a driver to allow writing and reading functionality.

ORDER CODES

Transponder Encoder

TE00A01KNX

TECHNICAL FEATURES

Dimensions

- H x W x D: 87 x 142 x 107 mm

Mounting

- Placed on desk

Connection

- USB type A connector

Power

- From the PC's USB port: 5V - 150mA

Communication

- USB 1.1

Warnings

- Blue light showing running process

ESUITE SOFTWARE



eSuite software is dedicated to the hotel management, to oversee KNX and environments for access control and alarms. Management software and interfaced with other software. Client remote management via the Internet or Ethernet. The package is also available with hardware version.

ORDER CODES

eSuite licences to be integrate with room/ zones

eSuite package 5 rooms / zones (MAX 200 rooms / zones)

eSuite additional client

eSuite interface to management systems

Embedded PC with eSuite - until 10 rooms - complete - 2 clients

Embedded PC with eSuite - until 25 rooms - complete - 2 clients

Embedded PC with eSuite - until 40 rooms - complete - 2 clients

Embedded PC with eSuite - until 100 rooms - complete - 2 clients

Embedded PC with eSuite - until 150 rooms - complete - 2 clients

Embedded PC with eSuite - until 200 rooms - complete - 2 clients

Upgrade rack PC

SW00D01KNX

SW00D02KNX

SW00D03KNX

SW00D04KNX

SW01D05KNX

SW02D05KNX

SW03D05KNX

SW04D05KNX

SW05D05KNX

SW06D05KNX

SW07D05KNX

TECHNICAL FEATURES

- Number of rooms / common area according to installed license.
- Client workstation according to installed license
- Profiling privileges unlimited
- Using KNX functions of timing events available

Generation KNX groups of objects available

- Automatically import object available from ETS KNX

Automatically back up data available

- Use filters to search event logs available
- Export data into CSV files / XLS / DOC available
- Connection to the bus using Falcon library
- PMS connection available

TRANSPONDER CARDS AND KEY HOLDER



ORDER CODES

Transponder Cards Blank - 50 pcs

CD00A02TRC

Transponder Cards Blank - 250 pcs

CD00A03TRC

Transponder Keyholder - 50 pcs

CD00B02TRC

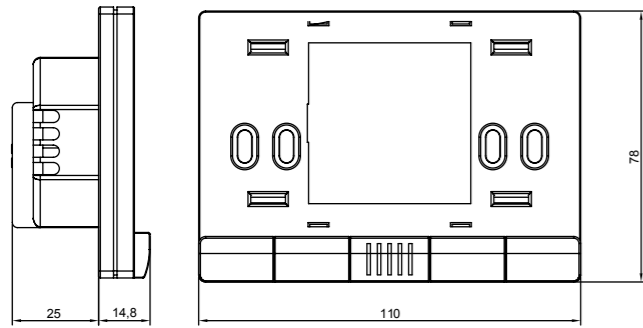
Dimensions and characteristics of the Card

- Complies with ISO 7810 (85.6 x 54 x 0.76 mm)
- Possibility of serigraphy on both sides (on request)
- Dual technology version (RFID and magnetic stripe on request)

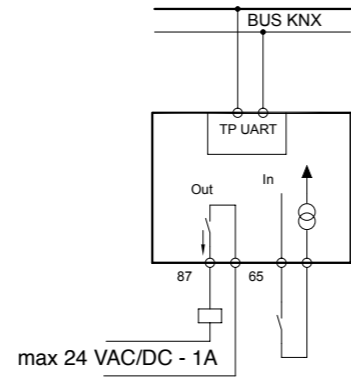
Dimensions and characteristics of Key chains

- Dimensions and Material: ABS 38 x 34 x 6 mm
- Frequency: 125KHz-
- Temperature: from -10°C to 50°C

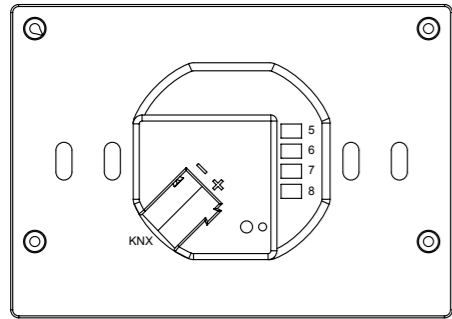
THERMOSTAT & TEMPERATURE PROBE



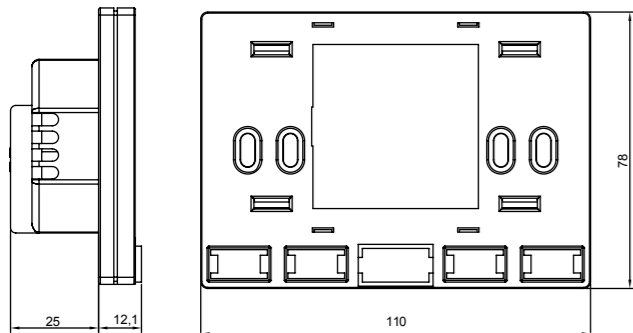
TM11A01KNX - TM11A11KNX - TM11A21KNX
TM11B01KNX - TM11B11KNX - TM11B21KNX



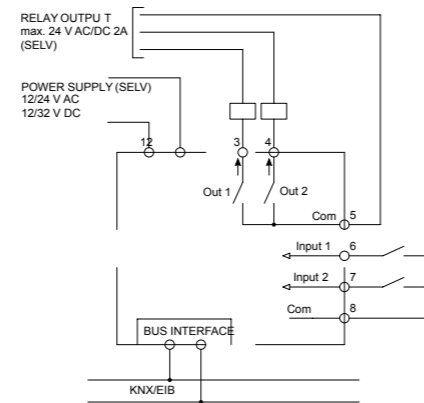
TM11A01KNX - TM11A11KNX - TM11A21KNX



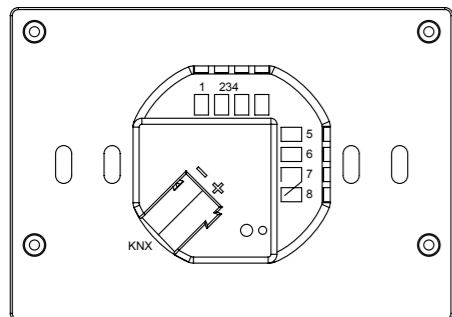
TRANSPONDER READER & HOLDER



TR22A01KNX - TR22A11KNX - TR22A21KNX
TH22A01KNX - TH22A11KNX - TH22A21KNX



TR22A01KNX - TR22A11KNX - TR22A21KNX
TH22A01KNX - TH22A11KNX - TH22A21KNX



Colours Range

PLEXIGLASS RANGE



Transponder reader white **TR22A29KNX**



Transponder holder white **TH22A29KNX**



Thermostat white **TM11A29KNX**



Transponder reader silver **TR22A09KNX**



Transponder holder silver **TH22A09KNX**



Thermostat silver **TM11A09KNX**



Transponder reader black **TR22A19KNX**



Transponder holder black **TH22A19KNX**



Thermostat black **TM11A19KNX**



Temperature probe white **TM11B29KNX**

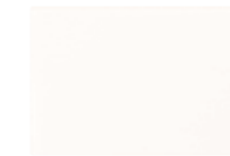


Temperature probe silver **TM11B09KNX**



Temperature probe black **TM11B19KNX**

GLASS RANGE



Glass **VT12** Oyster White



Glass **VT15** Black



Glass **VT23** Iron



Glass **VT24** Gold